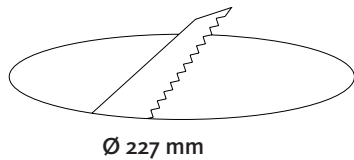
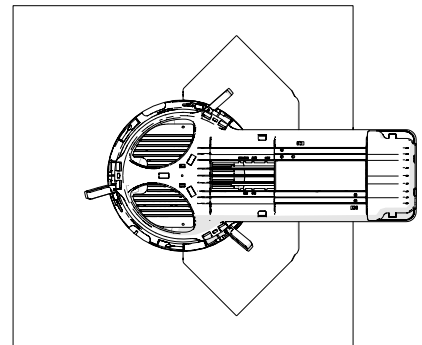
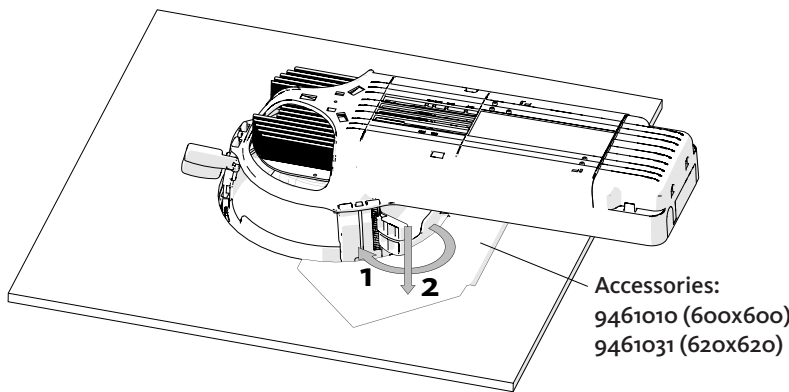


# Heaven CompoLED

Installation manual



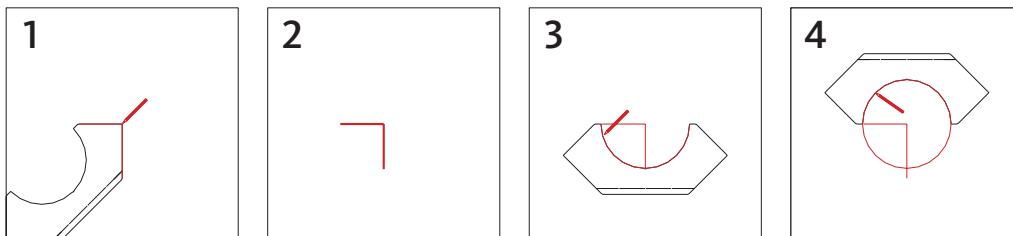
**Dust cover:** the luminaire is provided with a dust cover to keep the reflector clean during the building period. Remove the dust cover after the building is completed and cleaned.



**Mounting in soft ceiling tiles:** Place the weight distribution plate straight under the luminaire housing.

- 1: Twist the three green brackets.
- 2: Push them downwards against the tile.

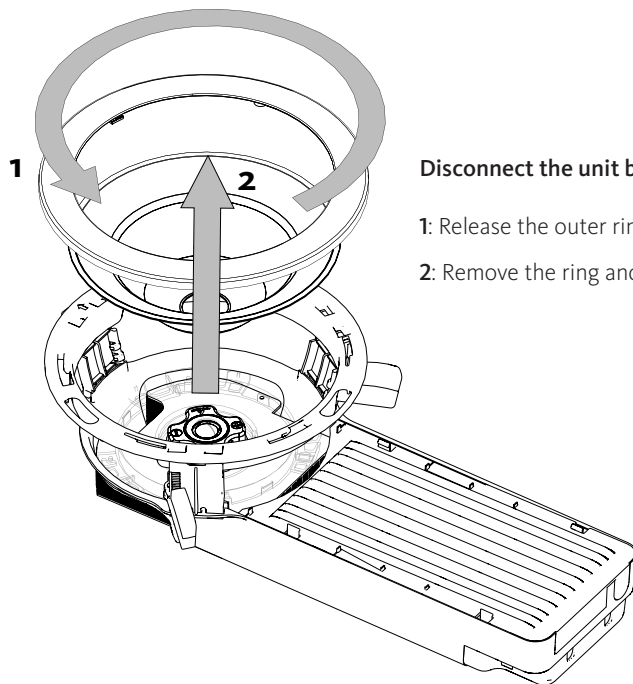
The weight of the luminaire rests on the two rear brackets (on the weight distribution plate), therefore the front bracket should be pushed gently against the tile. The brackets has a detachable part which can be removed when thicker tiles are used.



How to mark the center and cutout by using the weight distribution plate.  
Accessories 9461010 (600x600 tile) and 9461031 (620x620 tile).

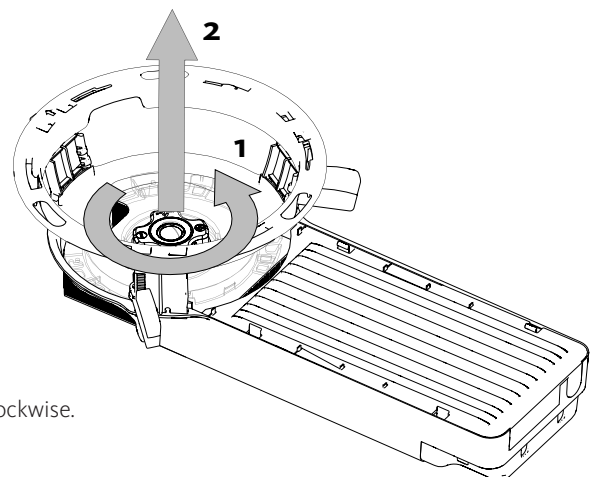
# Heaven CompoLED

How to change the CompoLED module



**Disconnect the unit before changing the lamp.**

- 1: Release the outer ring by twisting it anticlockwise.
- 2: Remove the ring and reflector.



- 1: Twist the CompoLED anticlockwise.
- 2: Remove the CompoLED.

Use opposite order to attach the new CompoLED, the reflector and the outer ring.

Minimum distances to wall and ceiling.

